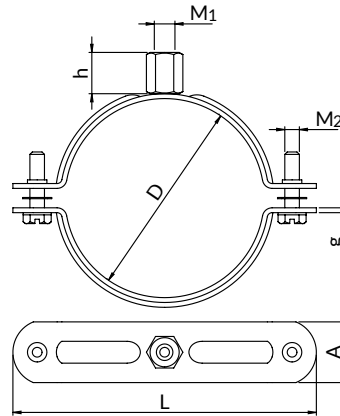
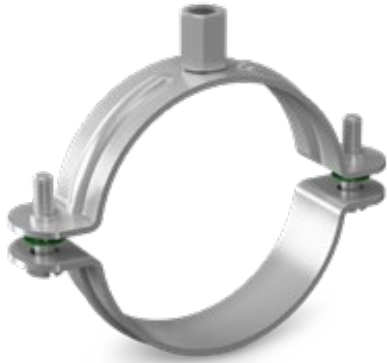


## PIPE CLAMPS DUO UPZD

NEW



duo

Permissible load

 electro-galvanized

 with hexagonal head with cross and groove recession + washers which prevent from bolts falling out.

Pipe clamps in standard option available without a pin and a screw (BK). Description of other options - [page 317](#).

| Scope of diameters D [mm] | Clamp dimensions |            | Connection          |               |         | Connection screws M <sub>2</sub> | Permissible load [kN] | Weight 1 pcs [kg] | Quantity [pcs/pkg] | Designation for the order | Catalogue number |
|---------------------------|------------------|------------|---------------------|---------------|---------|----------------------------------|-----------------------|-------------------|--------------------|---------------------------|------------------|
|                           | L [mm]           | A x g [mm] | Size M <sub>1</sub> | Height h [mm] | Version |                                  |                       |                   |                    |                           |                  |
| 15-17                     | 58               | 20x1,25    | M8/M10              | 17,0          | D       | M6                               | 0,80                  | 0,040             | 100                | UPZD-3/8                  | 80120101600      |
| 18-22                     | 62               | 20x1,25    | M8/M10              | 17,0          | D       | M6                               | 0,80                  | 0,042             | 100                | UPZD-1/2                  | 80120101800      |
| 23-27                     | 66               | 20x1,25    | M8/M10              | 17,0          | D       | M6                               | 0,80                  | 0,046             | 100                | UPZD-3/4                  | 80120102600      |
| 28-32                     | 70               | 20x1,25    | M8/M10              | 17,0          | D       | M6                               | 0,80                  | 0,048             | 100                | UPZD-28                   | 80120103000      |
| 33-37                     | 76               | 20x1,25    | M8/M10              | 17,0          | D       | M6                               | 0,80                  | 0,052             | 100                | UPZD-1                    | 80120103500      |
| 39-44                     | 83               | 20x1,25    | M8/M10              | 17,0          | D       | M6                               | 0,80                  | 0,056             | 50                 | UPZD-11/4                 | 80120103900      |
| 45-49                     | 88               | 20x1,25    | M8/M10              | 17,0          | D       | M6                               | 0,80                  | 0,059             | 50                 | UPZD-11/2                 | 80120104500      |
| 50-54                     | 93               | 20x1,25    | M8/M10              | 17,0          | D       | M6                               | 0,80                  | 0,059             | 50                 | UPZD-54                   | 80120105000      |
| 56-59                     | 103              | 20x1,25    | M8/M10              | 17,0          | D       | M6                               | 0,80                  | 0,066             | 50                 | UPZD-58                   | 80120105800      |
| 60-65                     | 105              | 20x1,25    | M8/M10              | 17,0          | D       | M6                               | 0,80                  | 0,068             | 50                 | UPZD-2                    | 80120106400      |
| 66-71                     | 116              | 20x1,5     | M8/M10              | 17,0          | D       | M6                               | 0,80                  | 0,088             | 50                 | UPZD-70                   | 80120107000      |
| 72-78                     | 118              | 20x1,5     | M8/M10              | 17,0          | D       | M6                               | 1,40                  | 0,089             | 25                 | UPZD-2 1/2                | 80120107600      |
| 79-84                     | 125              | 20x1,8     | M8/M10              | 17,0          | D       | M6                               | 1,40                  | 0,106             | 25                 | UPZD-80                   | 80120108400      |
| 85-91                     | 132              | 20x1,8     | M8/M10              | 17,0          | D       | M6                               | 1,40                  | 0,113             | 25                 | UPZD-3                    | 80120109000      |
| 92-98                     | 139              | 25x2,0     | M8/M10              | 17,0          | D       | M6                               | 1,40                  | 0,153             | 25                 | UPZD-95                   | 80120109600      |
| 99-105                    | 146              | 25x2,0     | M8/M10              | 17,0          | D       | M6                               | 1,40                  | 0,166             | 25                 | UPZD-100                  | 80120109900      |
| 106-113                   | 154              | 25x2,0     | M8/M10              | 17,0          | D       | M6                               | 1,40                  | 0,174             | 25                 | UPZD-4                    | 80120111200      |
| 114-122                   | 162              | 25x2,0     | M8/M10              | 17,0          | D       | M6                               | 1,80                  | 0,183             | 25                 | UPZD-114                  | 80120112000      |
| 123-131                   | 171              | 25x2,0     | M8/M10              | 17,0          | D       | M6                               | 1,80                  | 0,197             | 25                 | UPZD-125                  | 80120112800      |
| 132-140                   | 180              | 25x2,0     | M8/M10              | 17,0          | D       | M6                               | 1,80                  | 0,206             | 25                 | UPZD-5                    | 80120113800      |
| 141-148                   | 191              | 25x2,5     | M8/M10              | 17,0          | D       | M6                               | 2,10                  | 0,255             | 20                 | UPZD-145                  | 80120114400      |
| 149-157                   | 200              | 25x2,5     | M8/M10              | 17,0          | D       | M6                               | 2,10                  | 0,280             | 10                 | UPZD-150                  | 80120115600      |
| 158-167                   | 209              | 25x2,5     | M8/M10              | 17,0          | D       | M6                               | 2,10                  | 0,284             | 10                 | UPZD-160                  | 80120116600      |
| 168-177                   | 218              | 25x2,5     | M8/M10              | 17,0          | D       | M6                               | 2,10                  | 0,302             | 10                 | UPZD-6                    | 80120117600      |